

Base Instructions for: LEMX-BT
LEMX-PT

#1) Place table top with bottom side up (always protect the face side of the table)

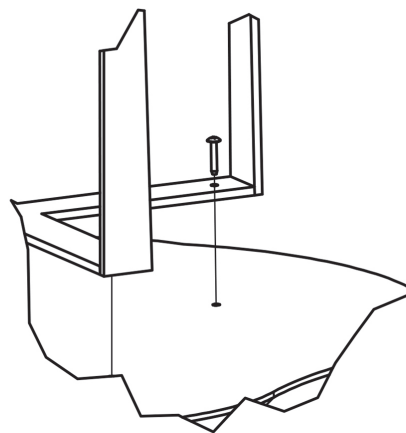
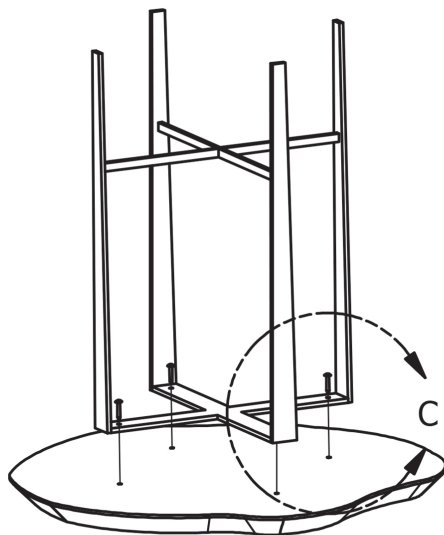
#2) Place base on the bottom of the table. Center base on top.

#3) Mark and bore pilot hole approximately 1/2" deep

#4) Attach base using screws and washers.

Component Parts:
1 Live Edge Table X Base
4 Screws 1-1/2"
4 Washers

Tools:
1 Screw Driver (Phillips Head)
1 Drill
1 Drill Bit - 3/16 Dia.



DETAIL C