

Live Edge 22" Round EX View Table Assembly

Base Instructions for: LE16-3B
LE16-3N
LE20-3B
LE20-3N

Component Parts:
3 Live Edge Table Legs
9 Screws 1-1/2"
9 Washers

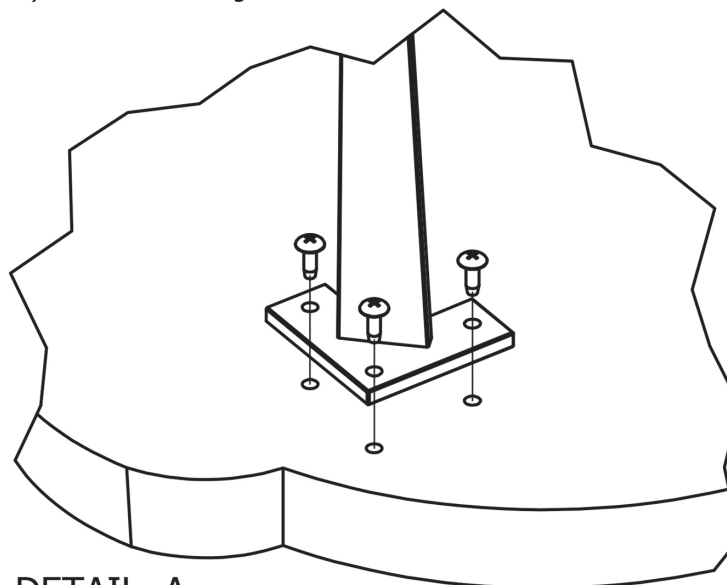
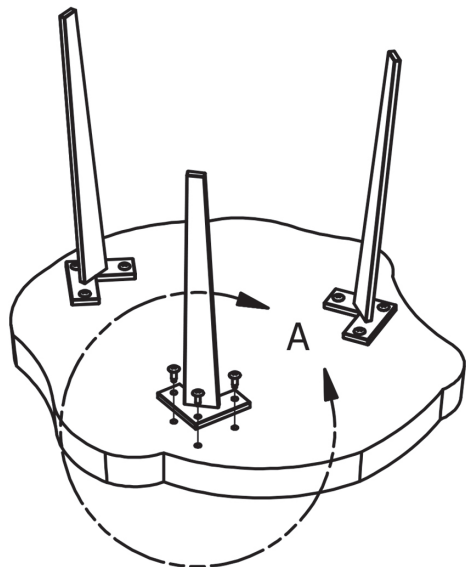
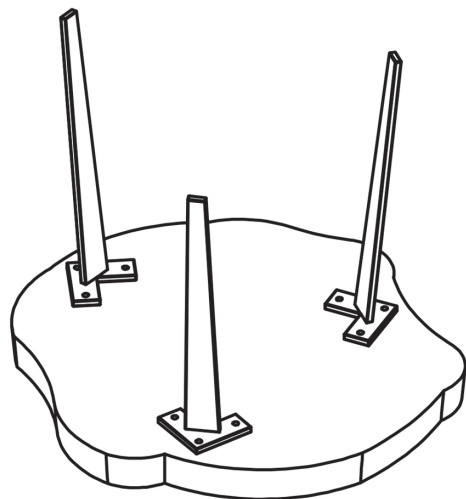
Tools:
1 Screw Driver (Phillips Head)
1 Drill
1 Drill Bit - 3/16 Dia.

#1) Place table top with bottom side up (always protect the face side of the table)

#2) Place base on the bottom of the table. The outside corner edge of the base should be approximately 1-2" from the edge of the table.

#3) Mark and bore pilot hole approximately 1/2" deep

#4) Attach base using screws and washers.



DETAIL A
SCALE 1 / 3